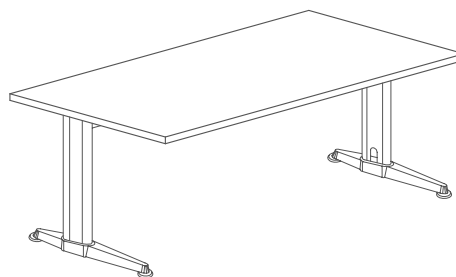


Montageanleitung

Schreibtischserie : XS08, XS12, XS16, XS19



<p>PL08/*, PL12/*, PL16/*, PL19/*</p>	<p>2 x (A)</p>
---------------------------------------	----------------

Beipack: Schreibtisch XS

<p>8 x (B)</p> <p>(6,3 x 16)</p>	<p>4 x (C)</p> <p>(M6 /SW10)</p>	<p>1 x (D)</p> <p>(SW 10)</p>	<p>2 x (E)</p> <p>Kappen (125x39x35)</p>	<p>4 x (F)</p>
----------------------------------	----------------------------------	-------------------------------	--	----------------

Traverse + Beipack: KX..

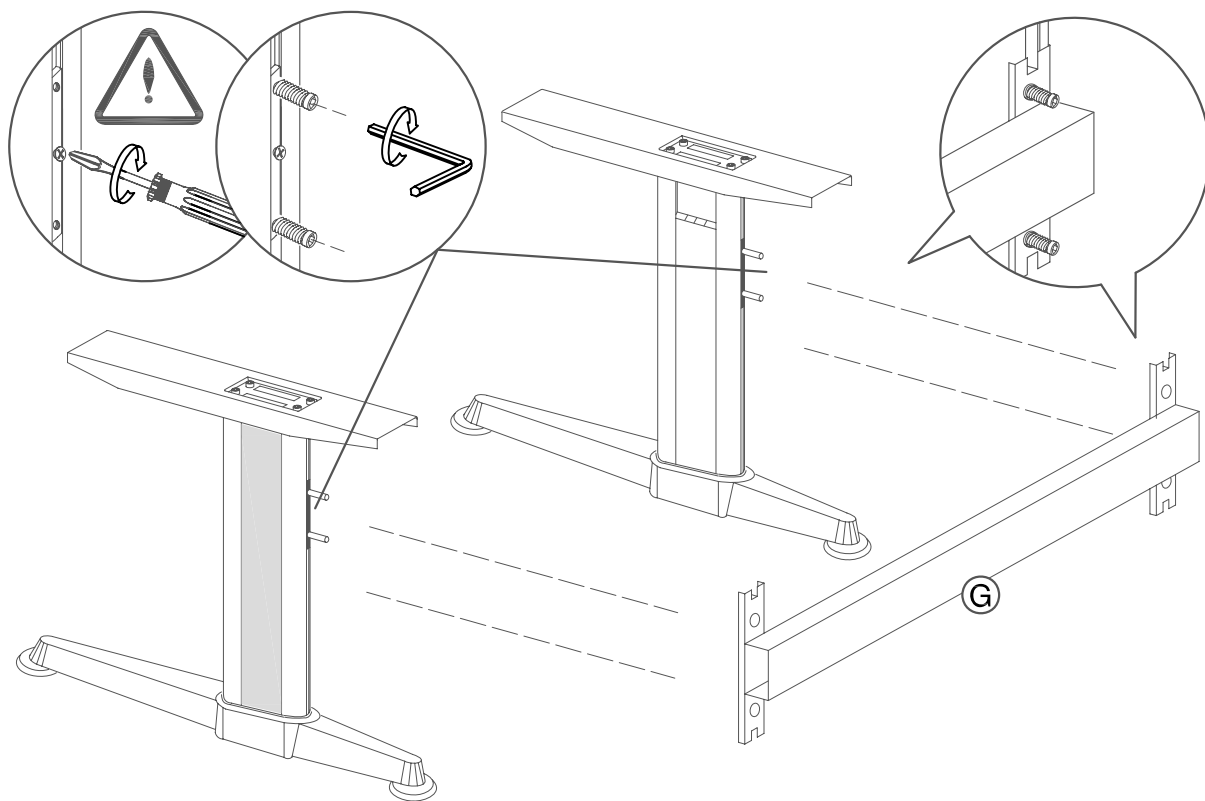
<p>1 x (G)</p> <p>Traverse (698/1098/1498)</p>	<p>2 x (H)</p> <p>(M6 x 15)</p>	<p>1 x (J)</p> <p>(116/60)</p>	<p>1 x (K)</p> <p>(SW 5)</p>	<p>2 x (L)</p> <p>(4,0 x 20)</p>
--	---------------------------------	--------------------------------	------------------------------	----------------------------------

1

(F) je 2x

(A)

2



3

