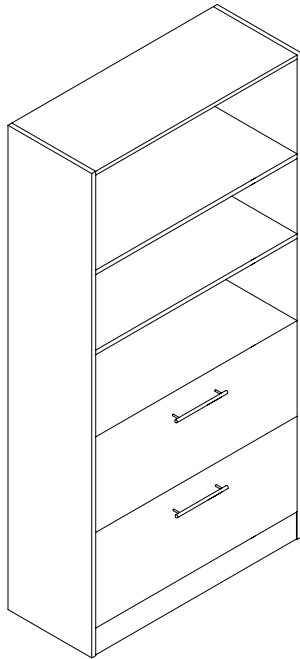
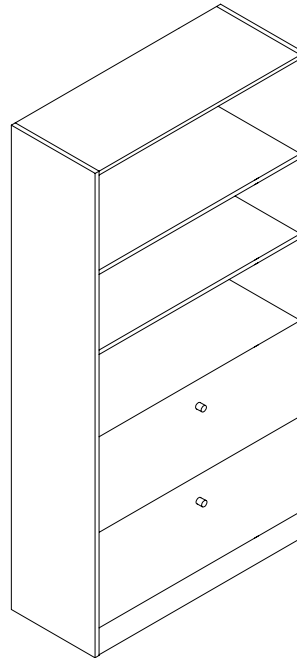


Montageanleitung : Korpus - Regalserien M6... / M7... / M8...

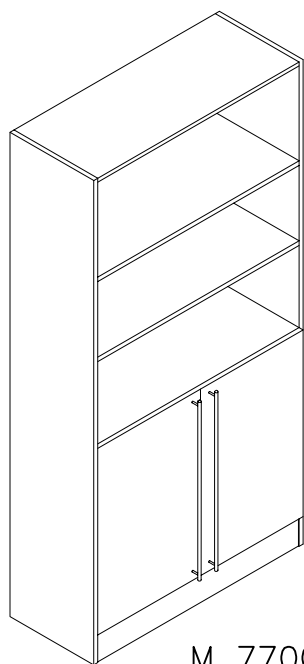
Assembly instruction : corpus - shelves M6... / M7... / M8... series



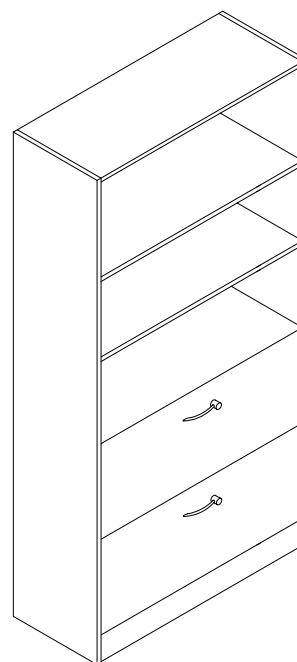
M 7300



M 6300

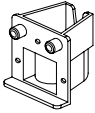







M 7700
(M 8700)


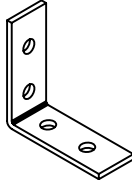

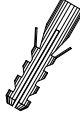





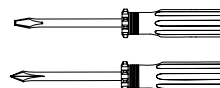
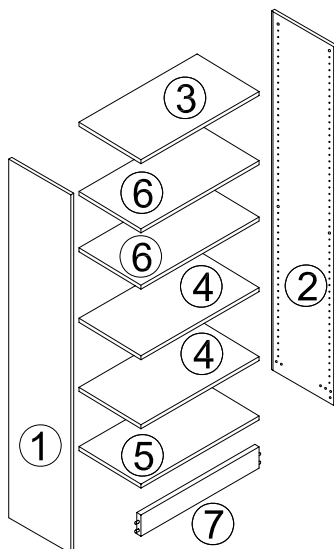
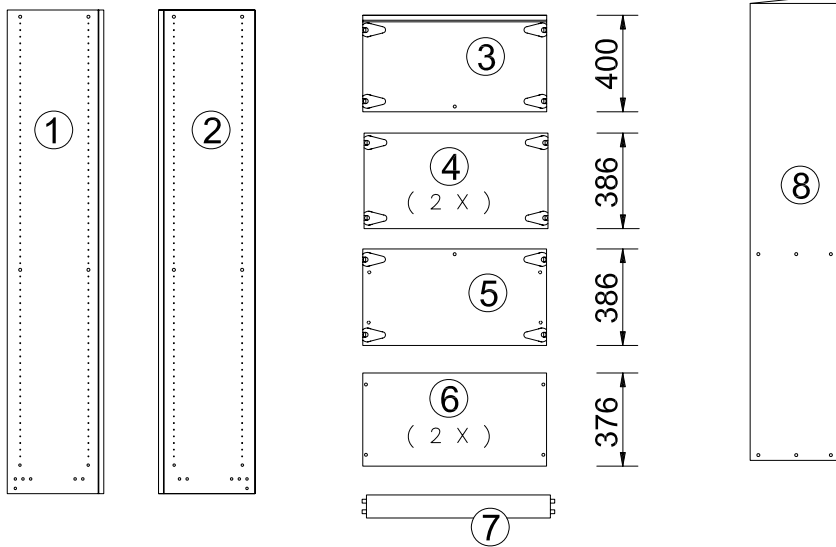
M8300

Beschlagbeutel 1 / fittings 1

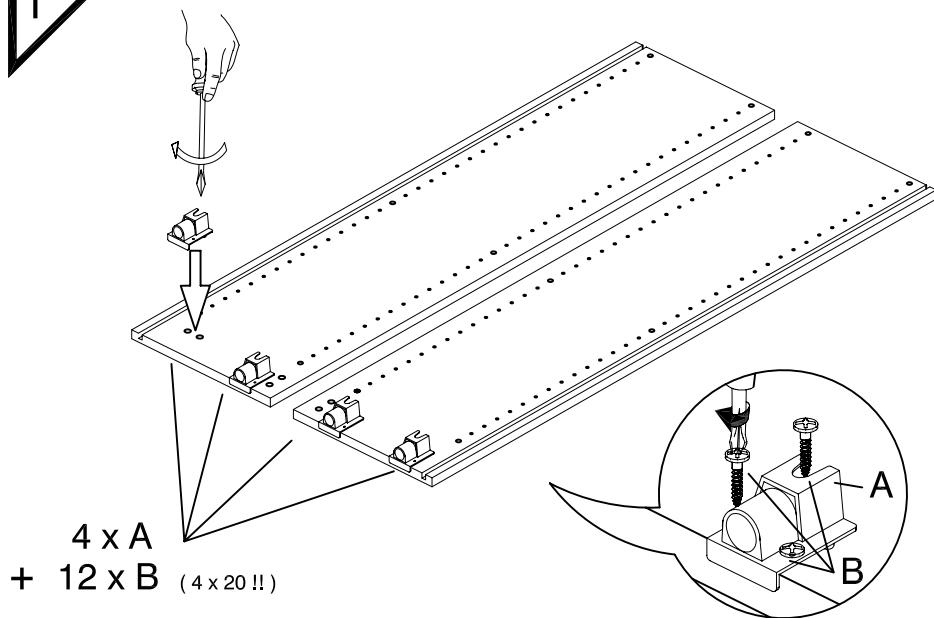
4 x A 	12 x B  (4 x 20 mm)	12 x C  (Ø 8mm)	4 x D  (Ø 5mm)	12 x E  (3,5 x 25 mm)	8 x F 
--	--	--	---	---	--

Beschlagbeutel 2 / fittings 2

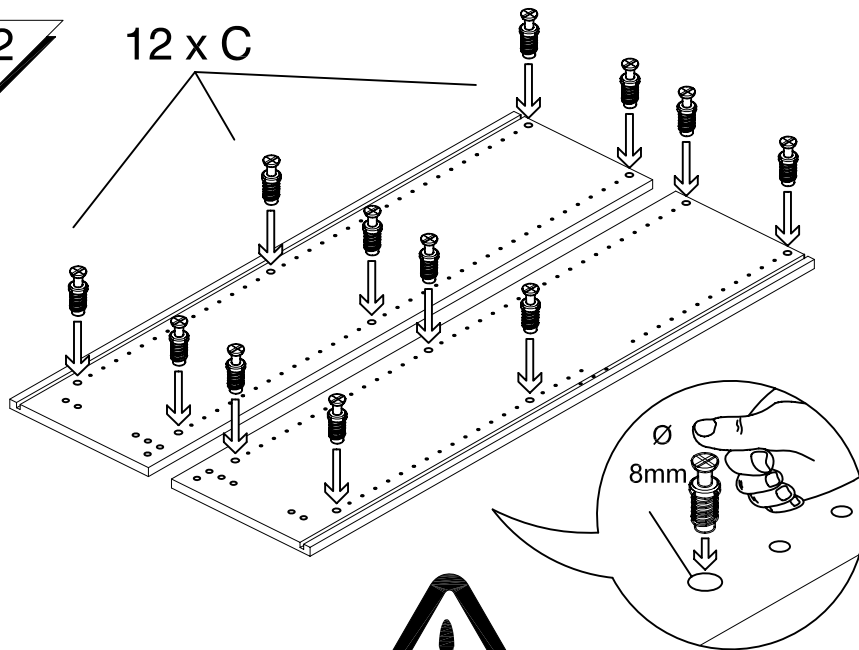
4 x G 	2 x H 	2 x J  (3,5 x 20 mm)	2 x K 
2 x L  (4,5 x 40 mm)	4 x M 	2 x N 	



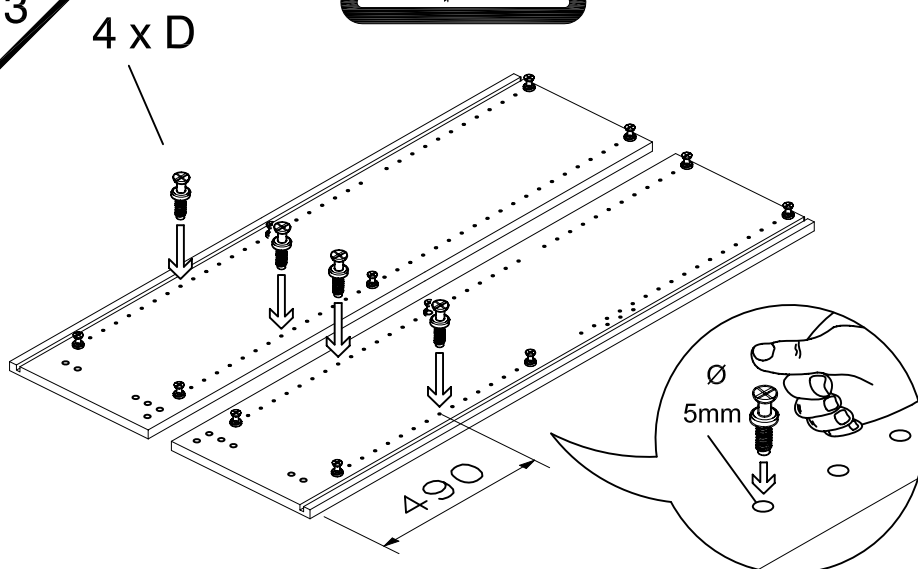
1



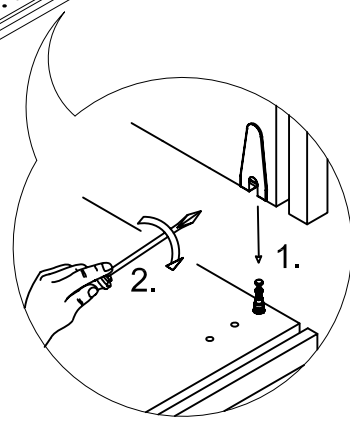
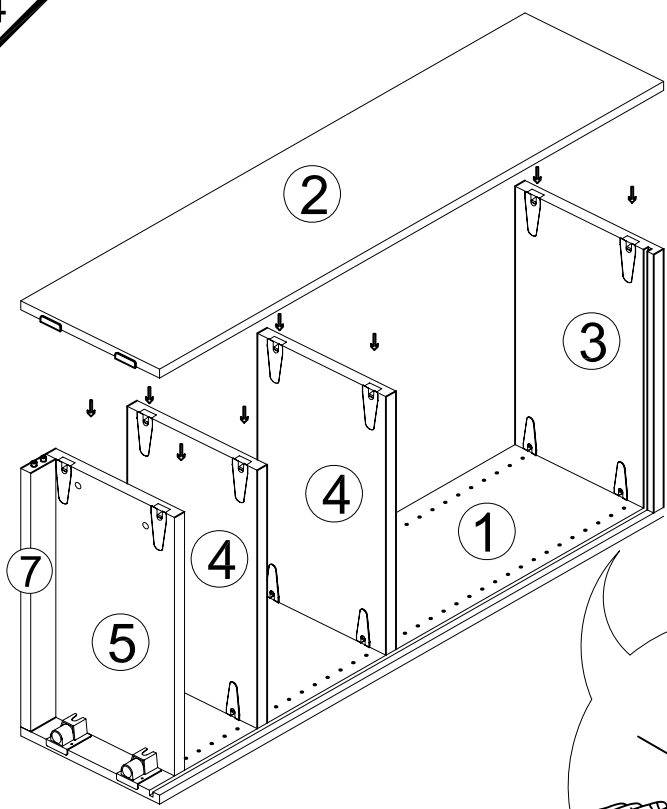
2



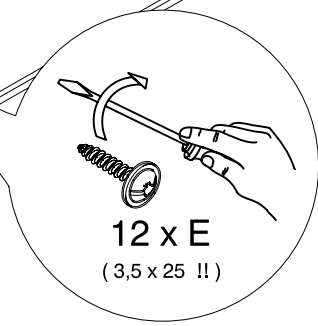
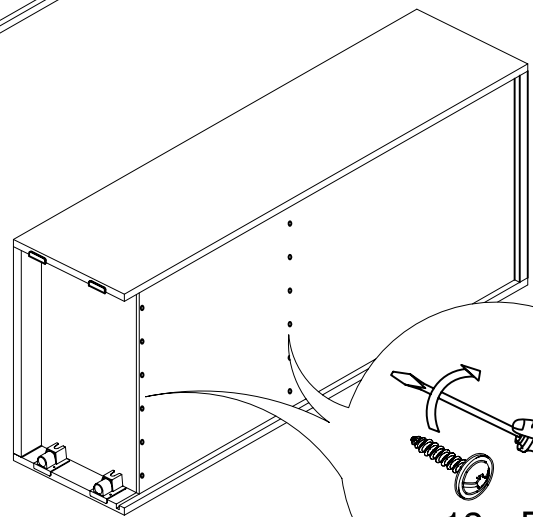
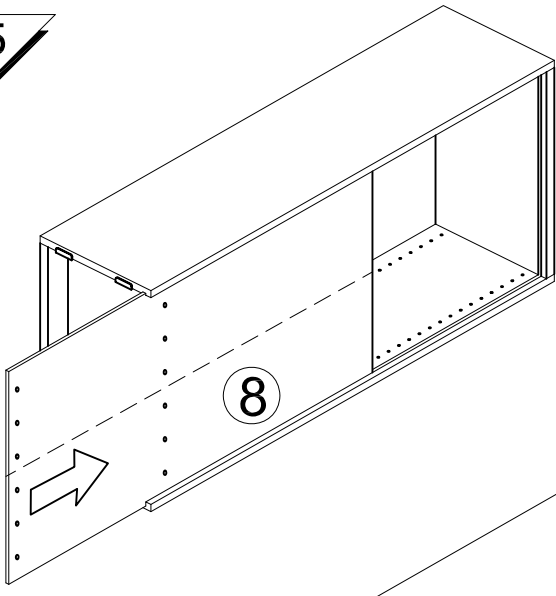
3



4

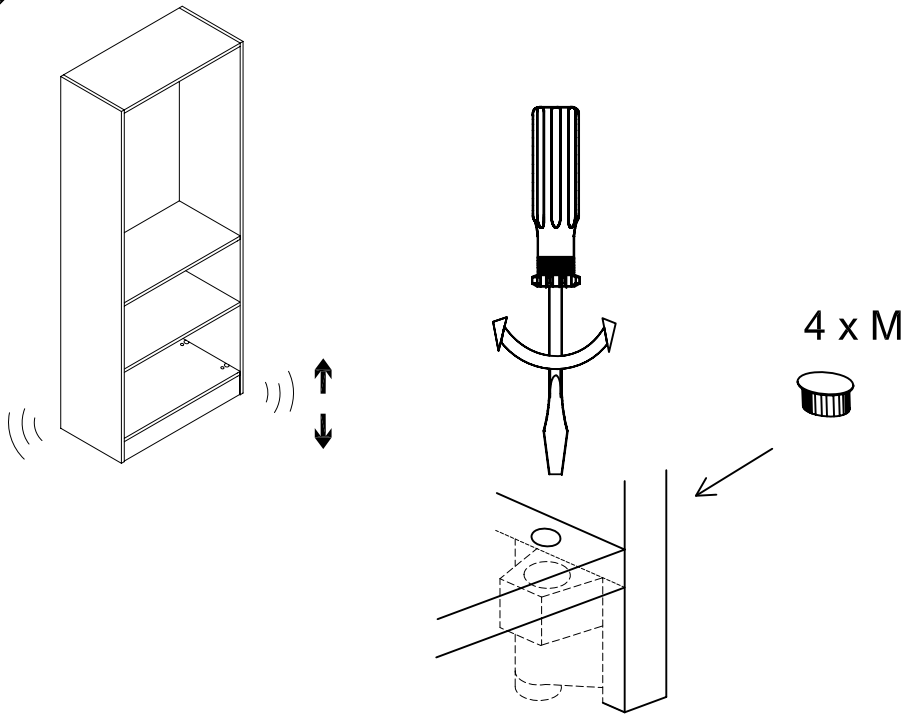


5

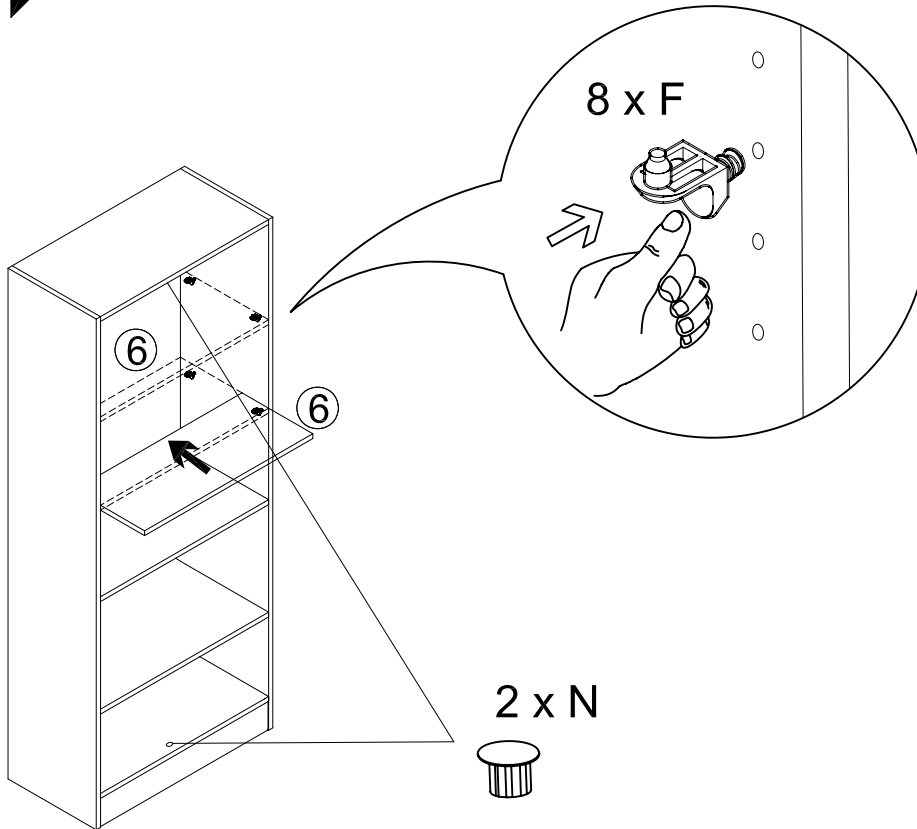


12 x E
(3,5 x 25 !!)

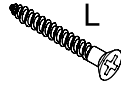
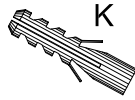
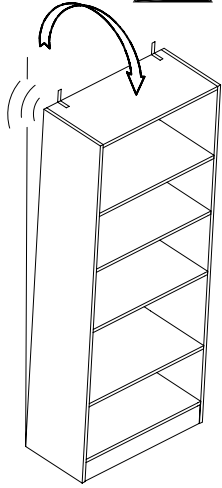
6



7

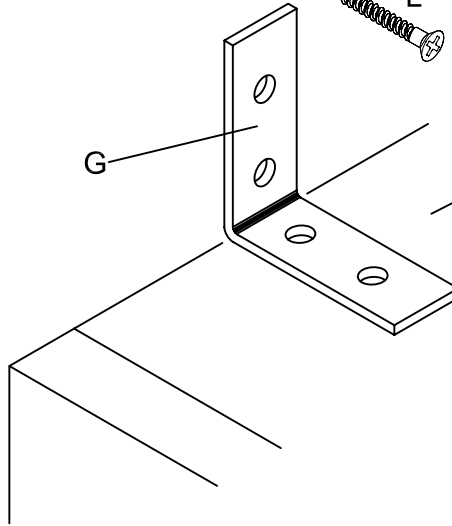


8



G

J



9

